

Product profile

IT67

Enterprise Lateral Transmitting (LT) Tag



- Passive tag meets Gen 2/ 18000-6C requirements
- Rugged multi-mounting options for ease of installation
- Provides both edge and normal reading performance
- Long range global performance
- Rugged encapsulation for harsh environments
- Reusable for lower cost per use
- RoHS and WEE compliant

Intermec's rugged IT67 Enterprise LT Tag is the first in the industry, designed to provide both edge and normal performance for enhanced portal and forklift RFID applications. With a range of up to 26ft (7.92m) and an IP rating of IP67, the IT67 is suitable for harsh environments and meets global standards.

Typical Applications Include:

- Automotive containers
- Large metal containers
- Postal roll cages
- Metal drums

Reader Compatibility

Intermec manufactures a complete line of readers that are compatible with the IT67 tag as indicated in the table below.

Tag Type

EPC Global Gen 2/ISO18000-6C

Attachment Methods

The IT67 tag can be attached using screws, rivets, double-sided adhesive strips or a variety of other methods. Additional mounting options are available through our network of Intermec partners.

Ordering Information

Order Number	Comments
225-756-001	SamplePackage (Qty. 10)
225-757-001	Production Package (Qty. 250)

Intermec Reader Models

Mobile Readers

IP4 Hand-Held Reader
IP30 Hand-Held Reader
IV7 Vehicle Mount Reader

Fixed Readers

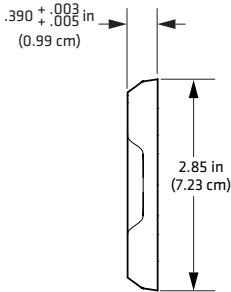
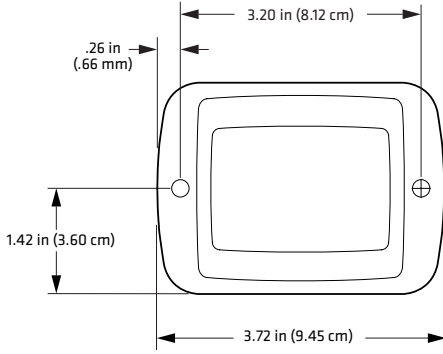
IF4 Fixed Serial Reader
IF5 Fixed Network Reader
IF30 Fixed Network Reader
IF61 Fixed Enterprise Reader

IT67 can be read with any competitive Gen 2/ ISO 18000-6C reader.



Size

2.85 in x 3.72 in (7.23 cm x 9.45 cm)



Available Silicon Type, Memory Size & Data Retention Air Interface

EPC Gen 2/ISO 18000-6C

Silicon Type

NXP -SL3S1002FTT

Memory Size

512-bit-on-chip user memory

Data Retention

EEPROM 2 years min

Comments

EEPROM write endurance 10,000 cycles

Temperature Ratings

Condition	Temperature
Storage	-40° F to 185° F (-40° C to 85° C)
Operating	-40° F to 150° F (-40° C to 66° C)

Vibration

5g RMS, 1.6-2000 Hz flat spectrum

Frequencies of Operation

EPCglobal Gen 2/ISO 18000-6C: 860 MHz to 960 MHz

North America

Corporate Headquarters

6001 36th Avenue West
Everett, Washington 98203
Phone: (425) 348-2600
Fax: (425) 355-9551

**South America & Mexico
Headquarters Office**

Newport Beach, California
Phone: (949) 955-0785
Fax: (949) 756-8782

**Europe/Middle East &
Africa Headquarters Office**

Reading, United Kingdom
Phone: +44 118 923 0800
Fax: +44 118 923 0801

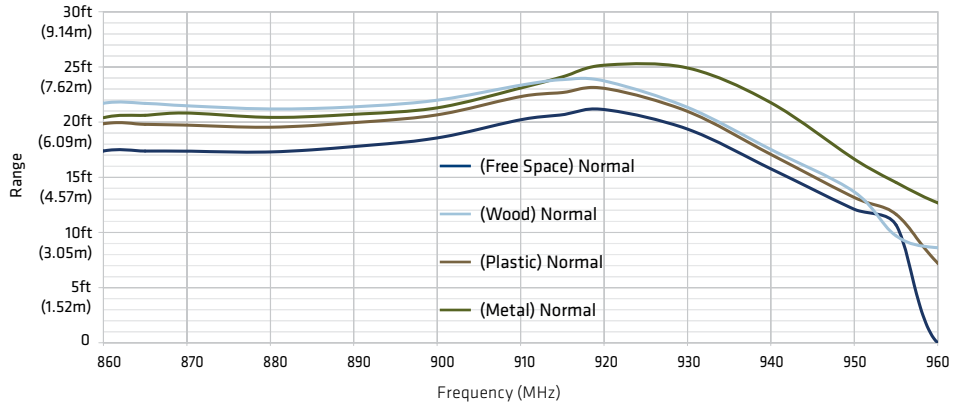
**Asia Pacific
Headquarters Office**

Singapore
Phone: +65 6303 2100
Fax: +65 6303 2199

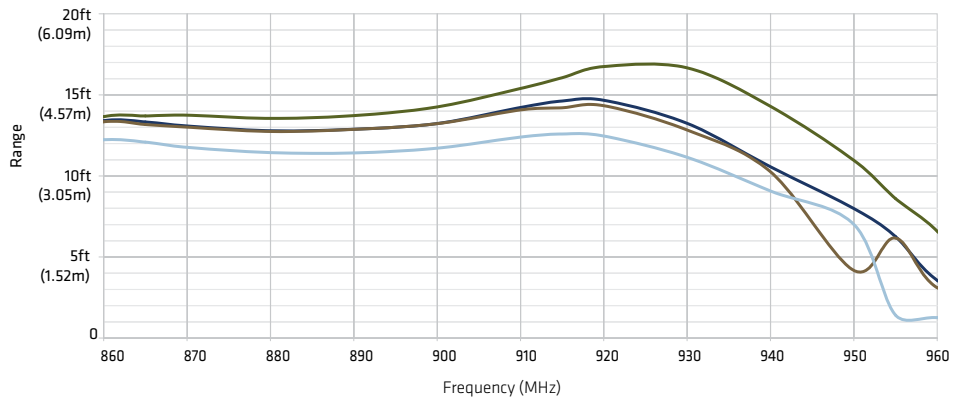
Internet

www.intermec.com
Worldwide Locations:
www.intermec.com/locations

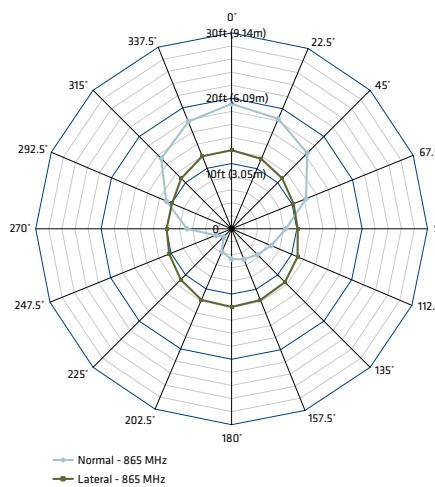
Read Range Performance of IT67 - (Normal Orientation)



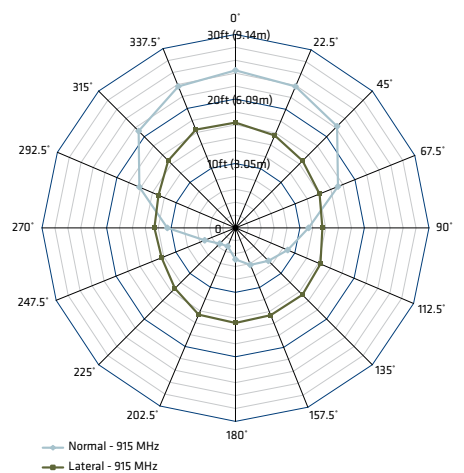
Read Range Performance of IT67 - (Lateral Orientation)



865 MHz Read Range Pattern of IT67 in Principal Planes on Metal of 12"x12" (30.48cm x 30.48cm)



915 MHz Read Range Pattern of IT67 in Principal Planes on Metal of 12"x12" (30.48cm x 30.48cm)



Sales

Toll Free NA: (800) 934-3163
Toll in NA: (425) 348-2726
Freephone ROW: 00 800 4488 8844
Toll ROW: +44 134 435 0296

OEM Sales

Phone: (425) 348-2762

Media Sales

Phone: (513) 874-5882

Customer Service and Support

Toll Free NA: (800) 755-5505
Toll in NA: (425) 356-1799

Note: All measurements reflect output power of 4W EIRP



Copyright © 2009 Intermec Technologies Corporation. All rights reserved. Intermec is a registered trademark of Intermec Technologies Corporation. All other trademarks are the property of their respective owners. Printed in the U.S.A. 611916-01D 02/09

In a continuing effort to improve our products, Intermec Technologies Corporation reserves the right to change specifications and features without prior notice.

