



Omni-ID Max® SQ-D

The Omni-ID Max SQ-D features extreme durability in a small footprint RFID tag. With dual-band global functionality and long read distances the Max SQ-D is ideal for harsh weather, high impact or other challenging application environments. Max SQ-D is finished in a Polypropylene encasement which provides chemical resistance for applications within the chemical sector.

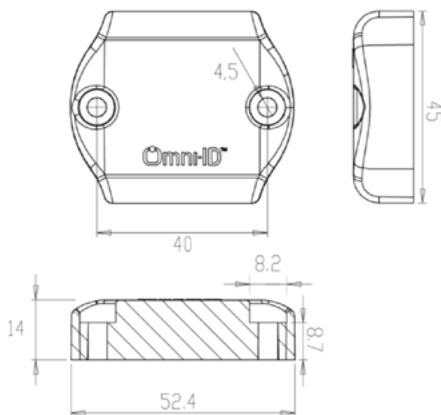
Applications

Based on a rugged construction, the Max SQ-D is ideal for RTI and Asset tracking in heavy industry sectors including:

- ▶ Automotive
- ▶ Construction
- ▶ Chemical

Physical Specifications

| | |
|-----------------------|-----------------------------|
| Encasement | Polypropylene |
| Size (mm) (tolerance) | 52.5 x 45.0 x 14.0 (+/-1.0) |
| Size (in) (tolerance) | 2.1 x 1.8 x 0.55 (+/-0.04) |
| Weight (g) | 24.5 |



Dimensions stated in mm

RF Specifications

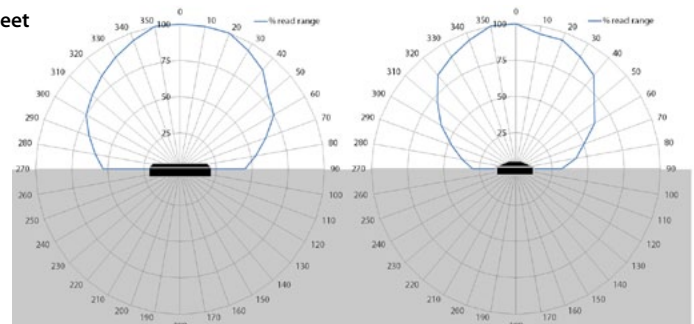
| | |
|---|--|
| Protocol | EPC Class 1 Gen2 |
| Frequency Range (MHz) | 860-930MHz (Dual Band) |
| Read Range (Fixed reader) ¹ | Up to 10.0 (global) |
| Read Range (Handheld reader) ¹ | Up to 5.0 (global) |
| Material Compatibility | Optimized for metal |
| IC Type (chip) | Alien H3 |
| Memory ² | EPC - 96bits User - 512bits TID - 64bits |

1. Quoted performance achieved using standard testing methodology. Read range will vary with reader hardware and output power.
2. EPC and User memory are reprogrammable, TID is locked at point of manufacture.

Radiation Patterns

Large metal

Sheet



Related Products and Services

- ▶ **Omni-ID Max Rigid** - High performance, long range RFID tag product for outdoor applications involving metal.
- ▶ **Omni-ID Max HD** - Long range, high durability and global RFID tag for heavy industry applications.
- ▶ **Omni-ID IQ 800P** - Large premium label for plastic assets.
- ▶ **Service Bureau** - Omni-ID offers a full service bureau for printing and pre-encoding Omni-ID tags at point of manufacture.



Environmental Specification

| | |
|--|---|
| Operating Temperature | -40 to +85 °C |
| Long term Max Temperature ¹ exposure - (days,weeks,years) | +85 °C |
| Short term Max Temperature ¹ exposure - (minutes,hours) | +105 °C |
| IP Rating | IP68 Submersion proof to 3000m depth |
| Shock and Vibration | MIL STD 810-F |
| Impact | >25kg from 1m |
| Attachment | Manual (standard) |
| Certifications | RoHS approved CE approved ATEX/IECEX certified (option) US&Canada (C1D1/D2) certified (option) |
| Warranty | 3 years |

1. Excludes adhesive options, consult adhesive data sheets for recommended temperature ratings.

Ordering Information

| | |
|---------------|---|
| Order Numbers | 035 - GS :304 (ATEX/IECEX certified) :307 (US&Canada (C1D1/D2) certified) :701 (Standard Service Bureau) :702 (Custom Service Bureau) |
|---------------|---|

For more information, contact:

Omni-ID Corporate Headquarters:

1200 Ridgeway Ave
Rochester, NY 14615 USA

European Office:

The Enterprise Centre
Coxbridge Business Park
Alton Road, Farnham, Surrey
GU10 5EH, United Kingdom

Asia Office:

Process Export zone
East of Road No.4 and South of Road No.2
Chengyang District
Qingdao
266113, P.R. China

For product or technology inquiries:
Email customer.services@omni-id.com

052012

